

# Installation Guide

## for EcoGard Opening Rooflights



[www.lonsdalemetal.co.uk](http://www.lonsdalemetal.co.uk)



### Step 1

Check the overall upstand dimensions including the roof finish are correct and ensure it is square. This can be done by checking the diagonal dimensions are the same. Make sure the upstand height is a minimum of 150mm above the roof finish to prevent water ingress by bouncing rain. Check the width of the curb is minimum 100mm wide.



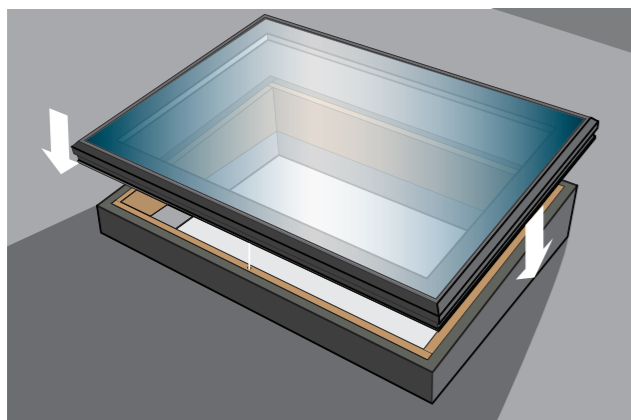
### Step 2

Ensure the top surface of the upstand is clean, dry and free from dust and debris. It should be as even a surface as possible without undulation. Apply the seating tape supplied making sure any joints are butted up tight.



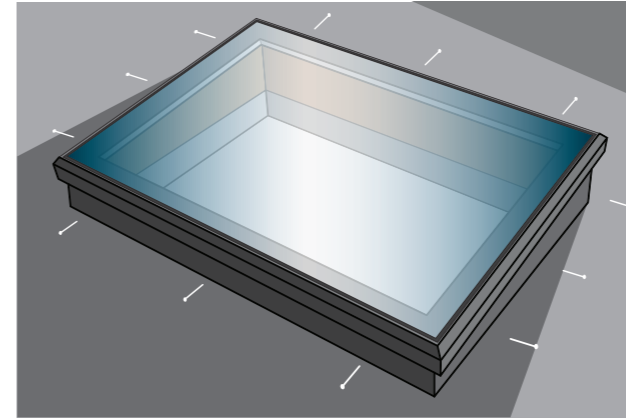
### Step 3

Apply a continuous mastic bead (not supplied) to the outside edge of the tape for maximum air-tightness.



### Step 4

Clean the inside of the glass. Ensure you form an aperture or rebate in the curb, click into place the internal plasterboard trim if required and carefully line up the cable before lowering the rooflight into place. Check from inside that it is correctly centred on the curb and has an even gap on all sides to allow for plasterboard and finishing.



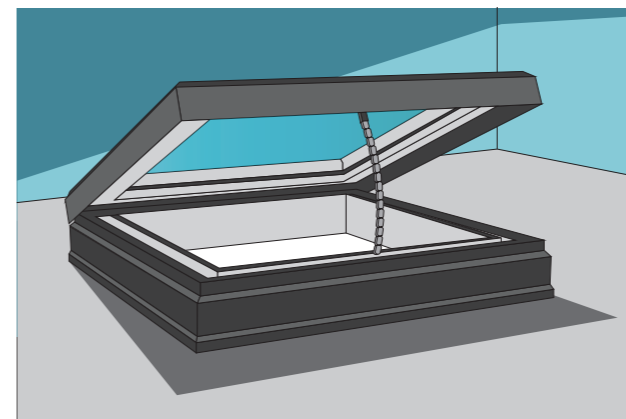
### Step 5

Fix the rooflight through the factory drilled holes using the screws provided.



### Step 6

Snap into position the external cover caps – a satisfying click demonstrates they are securely fitted. As you fix each one, check alignment at the corners. If you need to re-align, a rubber hammer may be used to tap into position without damaging the cappings.



### Step 7

Refer to the wiring instructions supplied and connect motor(s) to switches and/or control panel. Ideally with someone on the outside of the roof to ensure the rooflight is properly secured and does not move during operation, perform an open/close test to ensure all functioning correctly.



### Step 8

Installation of the EcoGard rooflight is complete. Now is the time to clean off any dirt and debris using a mild detergent solution. Finally, polish with glass cleaner and a soft cloth.




*We're here to help!*


For further advice call:

**020 8801 4221** Mon – Thurs between 08.30am and 5pm  
and up until 4pm on Fridays

### Contact us

 020 8801 4221

 [www.lonsdalemetal.co.uk](http://www.lonsdalemetal.co.uk)

 020 8801 1287

 [info@lonsdalemetal.co.uk](mailto:info@lonsdalemetal.co.uk)

Unit 40, Millmead Industrial Centre,  
Mill Mead Road, London N17 9QU

---

  @lonsdalemetal

 **Lonsdale**  
PATENT GLAZING & ROOFLIGHTS