

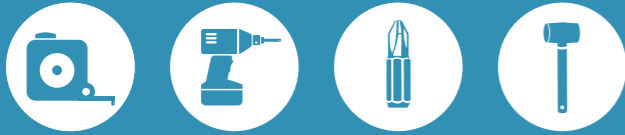
# Installation Guide

## for EcoGard Rooflights

**LMC** Lonsdale  
PATENT GLAZING & ROOFLIGHTS

[www.lonsdalemetal.co.uk](http://www.lonsdalemetal.co.uk)

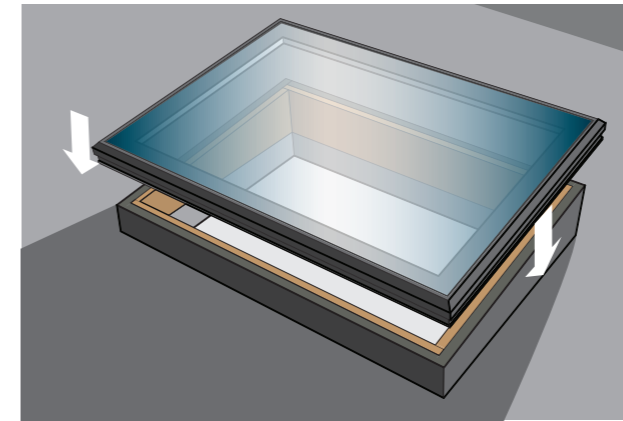
## Tools for the job



### IMPORTANT

Glass rooflights are heavy! We recommend at least two people perform installation. Typically EcoGard rooflights weigh approximately 35kgs per sqM.

## Wear protective boots, eye-wear and gloves



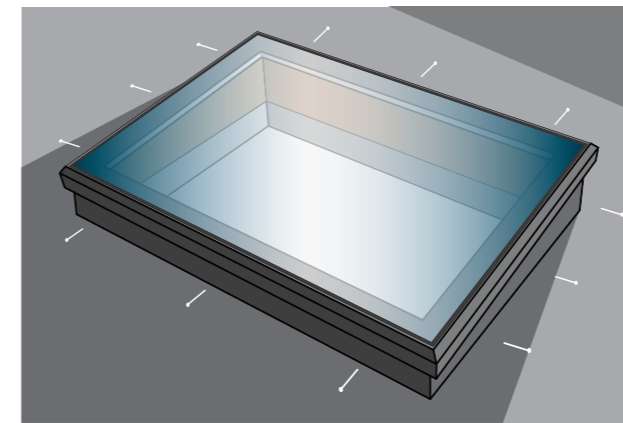
### Step 4:

Make sure the inside surface of the glass is clean before carefully lowering the rooflight into position. Check from inside that it is properly centred and has an even gap around all inside edges for plasterboard and finishing.



### Step 1:

Check the overall upstand dimensions including the roof finish are correct and ensure it is square. This can be done by checking the diagonal dimensions are the same. Make sure the upstand height is a minimum of 150mm above the roof finish to prevent water ingress by bouncing rain. Check the width of the curb is 50mm or if wider, that the rooflight cill is adapted to suit.



### Step 5:

Fix the rooflight through the factory drilled holes using the screws provided.



### Step 2:

Ensure the top surface of the upstand is clean, dry and free from dust and debris. It should be as even a surface as possible without undulation. Apply the seating tape supplied making sure any joints are butted up tight.



### Step 6:

Snap into position the external cover caps – a satisfying click demonstrates they are securely fitted. As you fix each one, check alignment at the corners. If you need to re-align, a rubber hammer may be used to tap into position without damaging the cappings.



### Step 3:

Apply a continuous mastic bead (not supplied) to the outside edge of the tape for maximum air-tightness.



### Step 7:


Installation of the EcoGard rooflight is complete. Now is the time to clean off any dirt and debris using a mild detergent solution. Finally, polish with glass cleaner and a soft cloth.




*We're here to help!*

For further advice call:  
**020 8801 4221** Mon – Thurs between 08.30am and 5pm  
and up until 4pm on Fridays

### Contact us

 020 8801 4221

 [www.lonsdalemetal.co.uk](http://www.lonsdalemetal.co.uk)

 020 8801 1287

 [info@lonsdalemetal.co.uk](mailto:info@lonsdalemetal.co.uk)

Unit 40, Millmead Industrial Centre,  
Mill Mead Road, London N17 9QU

---

  @lonsdalemetal

 **Lonsdale**  
PATENT GLAZING & ROOFLIGHTS