

Installation Guide

for pre-fabricated
EcoGard curbs



www.lonsdalemetal.co.uk

Tools for the job



Wear protective boots, eye-wear and gloves



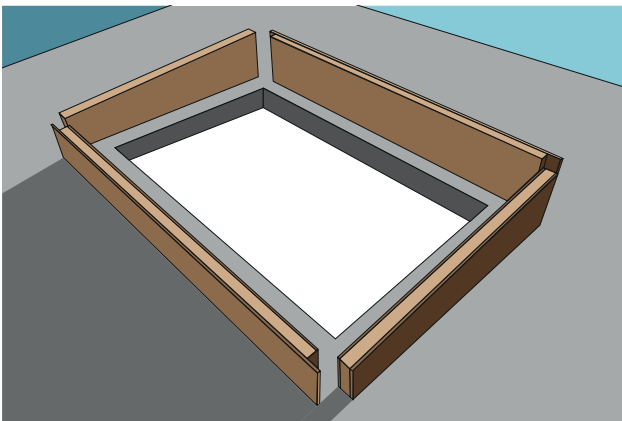
IMPORTANT

We recommend two people carry out installation.



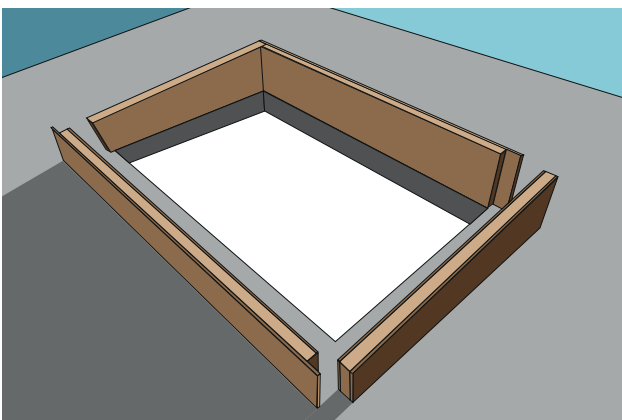
Step 1:

Measure the dimensions of the aperture and check they correspond with your order. The hole is square if the diagonal dimensions are the same. This is important as later, the rooflight will not fit a curb that is out of square.



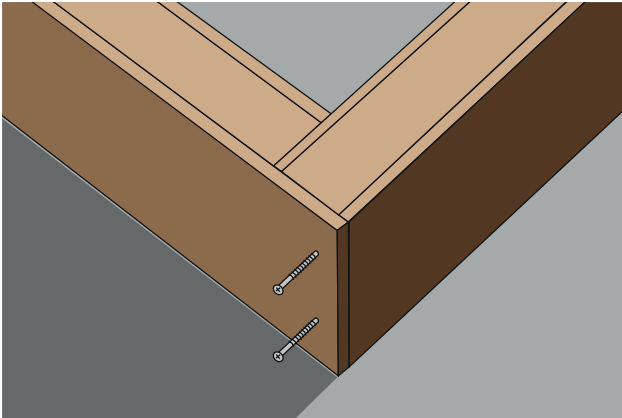
Step 2:

Place the curb sections around the aperture making sure the integral 5 degree fall is in the correct direction. At this stage, you may have to provide timber packing or similar between the roof construction and the underneath of the curb so that the upstand is a minimum of 150mm above the external roof finish for optimum weathering.



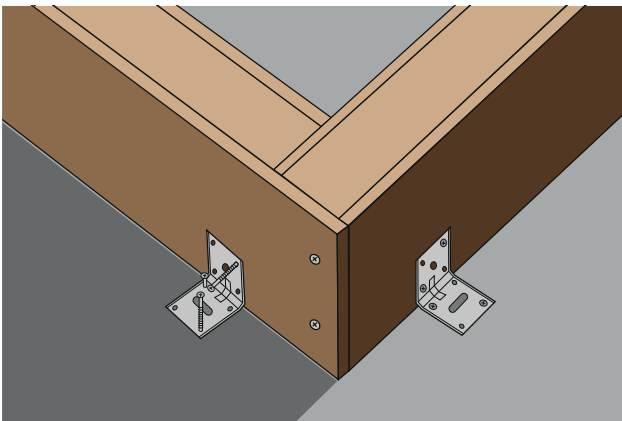
Step 3:

Align the curb section flush with the vertical face of the aperture. This is important to ensure easier finishing with plasterboard and skim to create a smooth internal finish apart from making sure the rooflight will fit later.



Step 4:

Fix the lapped corners with the screws provided.



Step 5:

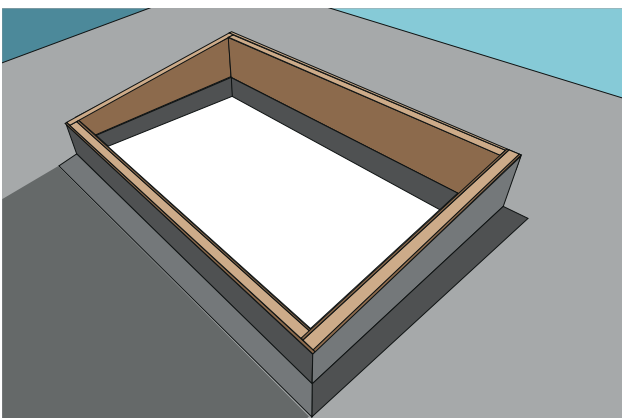
Using the fixing brackets supplied, first fasten these to the external vertical face of the curb with the screws provided, ensuring they are flush with the roof. They must be positioned approx. 100mm from each corner and more brackets are supplied with larger rooflights to secure midway.

Now fasten all brackets to the roof deck with the screws provided.



Step 6:

Now is the time to check the dimensions and ensure the curb is square as later it will not be possible to make alterations easily. Make sure the levels are such that the 5 degree fall required for correct drainage is evident.



Step 7:

Installation of the upstand is now complete and it is ready to receive the roof finish. Make sure the roof finish is dressed in accordance with our standard recommended detail. Please refer to our Typical Installation Details which are supplied with every order and can be downloaded from our website.




We're here to help!


For further advice call:

020 8801 4221 Mon – Thurs between 08.30am and 5pm
and up until 4pm on Fridays

Contact us

 020 8801 4221

 www.lonsdalemetal.co.uk

 020 8801 1287

 info@lonsdalemetal.co.uk

Unit 40, Millmead Industrial Centre,
Mill Mead Road, London N17 9QU

  @lonsdalemetal

 **Lonsdale**
PATENT GLAZING & ROOFLIGHTS